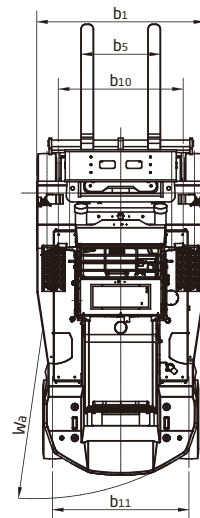
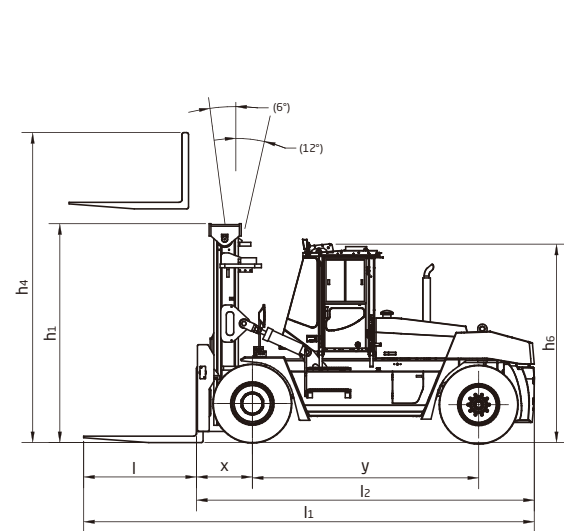
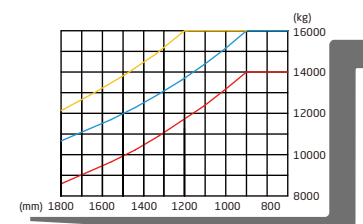


Heavy IC Forklift Truck

		HANGCHA GROUP CO.,LTD.								
Distinguishing mark	1.1	Manufacturer								
	1.2	Manufacturer's type designation								
Weight	1.3	Drive: electric (battery or mains), diesel, petrol, fuel gas								
	1.4	Operator type: hand, pedestrian, standing, seated, order-picker								
	1.5	Rated capacity/rated load								
	1.6	Load centre distance								
	1.8	Load distance, centre of drive axle to fork								
	1.9	Wheelbase								
	2.1	Service Weight								
Wheels, Chassis	3.1	Tyres: solid rubber, superelastic, pneumatic, polyurethane								
	3.2	Tyre size, front								
	3.3	Tyre size, rear								
	3.5	Wheels, number front rear (x = driven wheels)								
	3.6	Tread, front								
Dimensions	3.7	Tread, rear								
	4.1	Tilt of mast/fork carriage forward/backward								
	4.2	Height, mast lowered								
	4.4	Lift								
	4.5	Height, mast extended								
	4.7	Height of overhead guard								
	4.19	Overall length								
	4.20	Length to face of forks								
	4.21	Overall width								
	4.22	Fork dimensions ISO 2331								
	4.25	Distance between fork-arms								
	4.31	Ground clearance, laden, below mast								
Performance Data	4.32	Ground clearance, centre of wheelbase								
	4.35	Turning radius								
	5.1	Travel speed, laden/unladen								
	5.2	Lift speed, laden/unladen								
	5.5	Drawbar pull, laden/unladen								
	5.7	Gradeability, laden/unladen								
	5.10	Service brake								
	Parking brake									
	Combustion-engine	7.1	Engine manufacturer/type							
		Emission STD								
7.2		Engine power according to DIN ISO 1585								
7.3		Rated speed								
7.4		Number of cylinders/displacement								
7.10		Battery voltage/nominal capacity								
Rated torque										
Bore x stroke										
Transmissions Manufacturer										
Transmissions Type										
Additional data	10.1	Operating pressure for attachments								



LOAD CHART



14-18t Forklift Mast Specification

Type	Model	Max. fork height	Overall height		Tilt range		Capacity
			Lowered	Extended With backrest	FWD (°)	RWD (°)	load capacity at 900mm Double tire
Wide view mast	GL140MX	mm	mm	mm	(°)	(°)	kg
		3300	3500	5150	6	12	14000
		3600	3650	5450	6	12	14000
		4000	3850	5950	6	12	14000
		4300	4050	6200	6	12	14000
		4500	4150	6400	6	12	14000
		4800	4300	6700	6	12	14000
		5000	4400	6900	6	12	14000
		5500	4700	7450	3	6	12500
		6000	4950	7950	3	6	11500
Wide view mast	GL160MX	mm	mm	mm	(°)	(°)	kg
		3000	3500	5000	6	12	16000
		3300	3650	5300	6	12	16000
		3600	3800	5600	6	12	16000
		4000	4000	6000	6	12	16000
		4300	4200	6350	6	12	16000
		4500	4300	6550	6	12	16000
		4800	4450	6850	6	12	16000
		5000	4550	7050	6	12	16000
		5500	4850	7600	3	6	14500
Wide view mast	GL180MX	mm	mm	mm	(°)	(°)	kg
		3000	3500	5000	6	12	18000
		3300	3650	5300	6	12	18000
		3600	3800	5600	6	12	18000
		4000	4000	6000	6	12	18000
		4300	4200	6350	6	12	18000
		4500	4300	6550	6	12	18000
		4800	4450	6850	6	12	18000
		5000	4550	7050	6	12	18000
		5500	4850	7600	3	6	16500

16t Forklift Mast Specification

Type	Model	Max. fork height	Overall height		Tilt range		Capacity
			Lowered	Extended With backrest	FWD (°)	RWD (°)	load capacity at 1200mm Double tire
Wide view mast	GL160MX	mm	mm	mm	(°)	(°)	kg
		3000	3500	5000	6	12	16000
		3300	3650	5300	6	12	16000
		3600	3800	5600	6	12	16000
		4000	4000	6000	6	12	16000
		4300	4200	6350	6	12	16000
		4500	4300	6550	6	12	16000
		4800	4450	6850	6	12	16000
		5000	4550	7050	6	12	16000
		5500	4850	7600	3	6	14500



HANGCHA

Hangcha Europe GmbH

Mariechen-Graulich-Straße 12a,
65439 Flörsheim am Main,
Germany

Tel: 0049-61453769188
E-mail: admin@hangchaeurope.com

Mob: 0049-16096548808 (Thomas Dittrich)
E-mail: thomas.dittrich@hangchaeurope.com
Zip Code Area (1,2,3,4,5,6,7)

Mob: 0049-1605272481 (Jens Aßmuth)
E-mail: jens.assmuth@hangchaeurope.com
Zip Code Area (0,8,9)

www.hangchaeurope.com



Follow us on Instagram



Follow us on Facebook



Follow us on YouTube



Download "Hangcha Forklift" App



ISO14001:2015



ISO9001:2015



HANGCHA trucks conform to the European Safety Requirements.

HANGCHA GROUP CO.,LTD. reserves the right to make any changes without notice concerning colors, equipment, or specifications detailed in this brochure, or to discontinue individual models. The colors of trucks, delivered may differ slightly from those in brochures.

2021 VERSION 1/COPYRIGHT 2021.06



Heavy IC Forklift Truck

with capacities of 14,000 to 18,000kg

The World of Hangcha



Heavy IC Forklift Truck

Environment/
Efficiency/
Economy

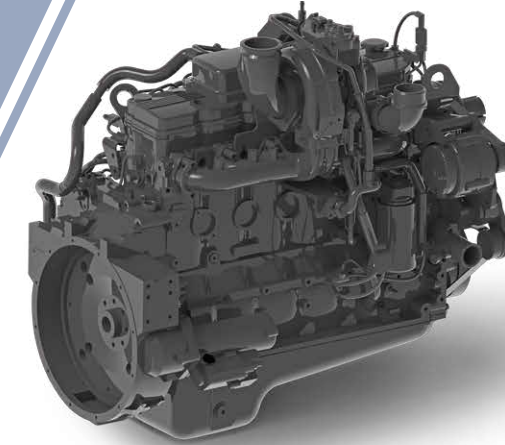


STAGE V & TIER 4F

HANGCHA with you at every stage

Efficient, reliable solutions for your demands

With Hangcha you can meet all Stage V/Tier 4f emissions standards which provides customer demands for value, innovation and performance. The technologies include common rail fuel systems, Turbocharged Inter-cooled selective catalytic reduction (SCR), diesel oxidation catalysts (DOC) and diesel particulate filters (DPF). Designed and optimised to every engine model, our forklift truck maximises efficiency and reliability.



CUMMINS B6.7

Hydraulic System

/ The main hydraulic components like the control valves, variable pump are products of Rexroth.

Transmission System

/ ZF micro controller with 3 stage power-shift is to make sure the high reliability. German Kessler heavy load drive axle, with two stage speed adjust, multi-disc wet service brake system, is fully enclosed system with maintenance free.

Steering System

/ Transverse steering axle with full hydraulic steering and sensor system is to make sure easy steering.



Cabin

/ Tilting cabin is easy to daily service, and the wide view mast, high positioned seat provide good front visibility to operator.

Standard Specification

- | | |
|------------------------------|------------------------------------|
| / Heater and air conditioner | / Pre-heat indication |
| / Hour meter | / Wide view duplex mast |
| / Bracket of light | / 4 Sec. multi-way valve |
| / Cabin | / Hydraulic power steering |
| / Traction pin | / Rubber pedal |
| / Headlight | / Dipstick |
| / Horn | / Air cleaner |
| / Mirror | / Adjustable steering wheel |
| / Toolbox | / Tilt cylinder self-locking valve |
| / Forks | / Side roller |
| / Charge indicator | / Mast lift speed limited valve |
| / Combination rear light | |

Options

- / 2.5-6.0m duplex mast
- / Special carriage and backrest
- / Solid tyre
- / Other dimension forks
- / Other attachment
- / Fire extinguisher
- / Suspension seat
- / Dual air cleaner or special air cleaner
- / Rear working light
- / Customer painting

